

# Installation Instructions

## IMPORTANT

- DISCONNECT ELECTRICAL SUPPLY BEFORE INSTALLATION OR SERVICING.
- THIS PRODUCT MUST BE EARTHED.
- THIS PRODUCT IS DESIGNED TO OPERATE OUTDOORS. IF REQUIRED TO BE USED INDOORS PLEASE CONSULT DW WINDSOR.
- THIS PRODUCT IS FITTED WITH HIGH IMPACT RESISTANT GLASS AND MAY BE MOUNTED AT HEIGHTS ABOVE OR BELOW 5m.

IP66 IK08 CE

230VAC 50Hz

10/630/16 REV A

## Product Details

The Kirium Pro range is supplied with entry detached from the luminaire.

	Dimensions (mm)			Max. Weight (kg)*	Windage m <sup>2</sup>
	A	B	C		
Kirium Pro 1	610	140	350	8.5	0.048
Kirium Pro 2	720	140	350	9.8	0.052
Kirium Pro 3	1010	167	415	17.1	0.0867

\*Maximum weight of lantern including post top entry.

	Power Ranges (Watts)	
	Standard	CLO Enabled
Kirium Pro 1	7-105	6-95
Kirium Pro 2	22-198	20-177
Kirium Pro 3	41-394	37-353

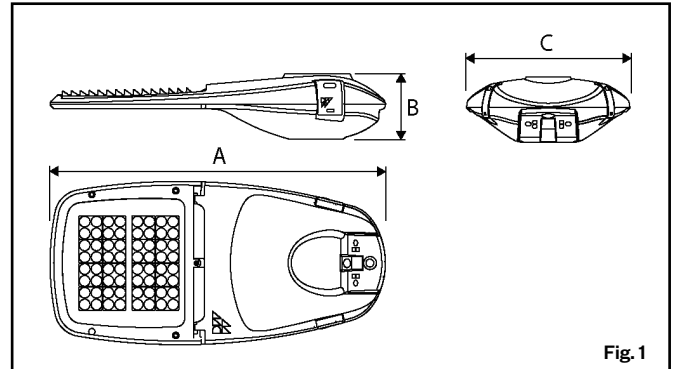


Fig. 1 - Kirium Pro 2 (Please See Kirium Pro data sheet for all Kirium Pro technical drawings).

## Column Engagement

The information shown below details the length of column engagement for each entry option.

Entry Options	Column Engagement
76mm Post Top Entry	80mm
42mm Side Entry	110mm
60mm Post Top and Side Entry	100mm

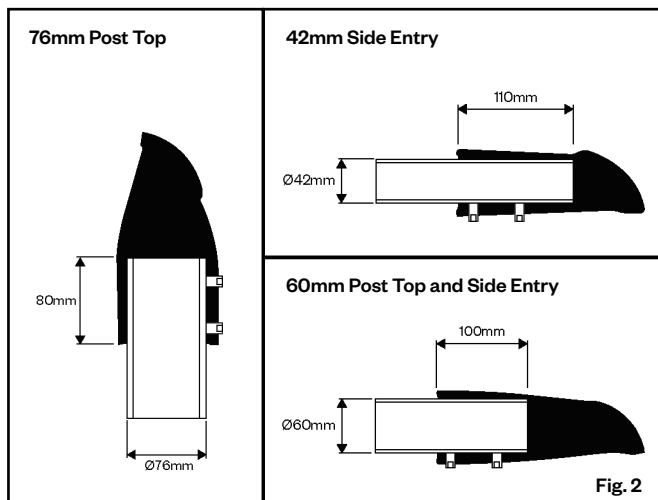


Fig. 2 - Length of column engagement for each entry option.

## Fasteners Supplied

- 2x M10 Screw
- 4x Disc Spring Washer
- 2x M10 Grub Screw
- 2x Locking Nut (for Kirium Pro 2 and 3 only, when using a Side Entry)

## Tools Required

Tools not supplied.

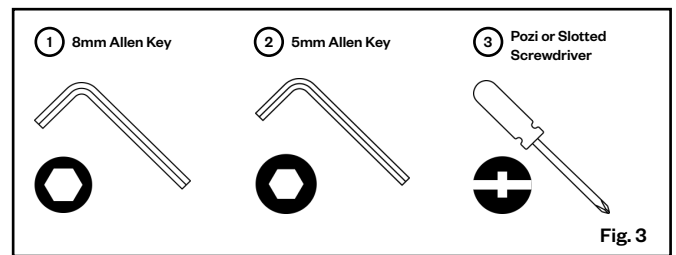


Fig. 3 - Kirium Pro 2 (Please See Kirium Pro data sheet for all Kirium Pro technical drawings).

## Recommended Torque

	Entry Mounting Torque (Nm)	Column Mounting Torque (Nm)
Kirium Pro 1	16	16
Kirium Pro 2	16	16
Kirium Pro 3	16	16

## NOTE!

- Luminaire to be positioned so that prolonged staring into the luminaire at distances closer than shown below is not expected.
  - o Kirium Pro1 - 3.4m
  - o Kirium Pro2 - 4.8m
  - o Kirium Pro3 - 6.6m
- Do not stare at operating light source.
- Personnel to wear Protective Safety Glasses compliant with EN166 1F/ EN169 - 5 when commissioning or maintaining this luminaire.

Kirium® Pro is a registered design.

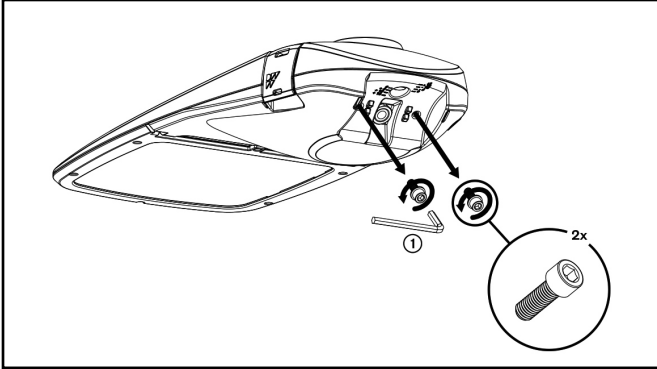
Due to continuous product development the details within this document are subject to change at any time, please contact us for the most up-to-date information or visit: [www.dwwindsor.com](http://www.dwwindsor.com)

**DW Windsor**  
Pindar Road, Hoddesdon, Hertfordshire, EN11 ODX  
T: +44 (0) 1992 474600 | E: [info@dwwindsor.com](mailto:info@dwwindsor.com)  
[dwwindsor.com](http://dwwindsor.com)

### Kirium Pro Installation Steps | Post Top Entry

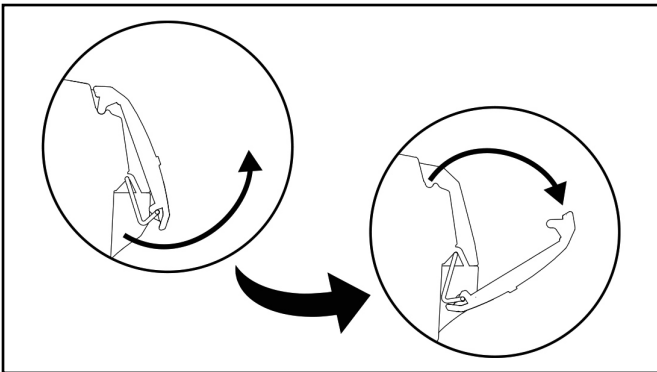
**Step 1**

Loosen and remove pre-attached 2x M10 screws and 4x disc spring washers from luminaire with 8mm allen key.



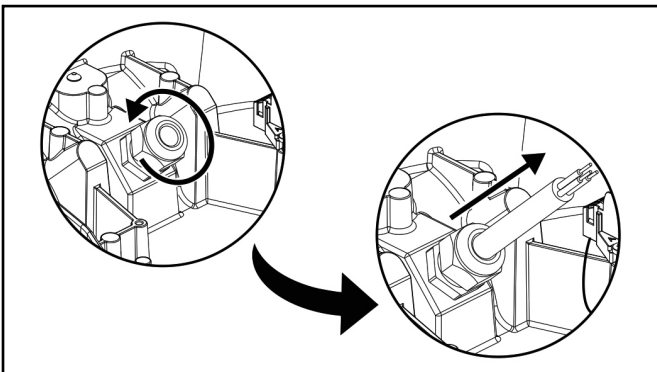
**Step 3**

Undo quick-release side latches, and leave latches in open position.



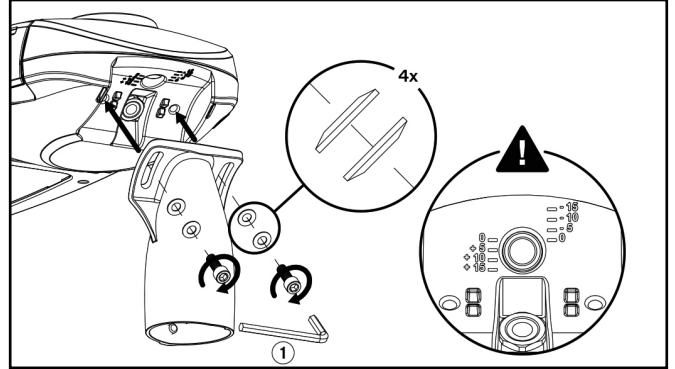
**Step 5**

Loosen cable gland cap within base and feed through cable tail.



**Step 2 (See Step 2A for Side Entry installation instructions)**

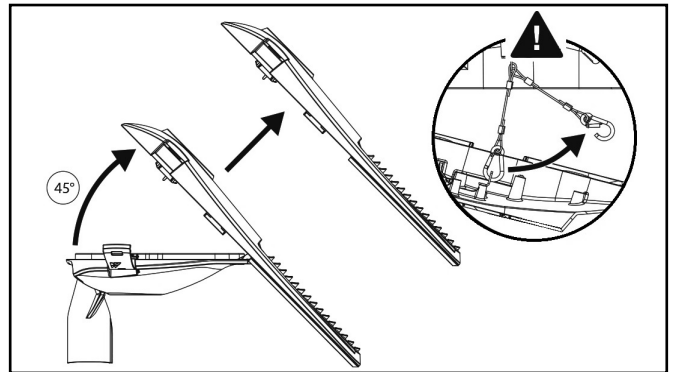
Fit entry to luminaire with supplied fasteners, tightening to 16Nm torque. 4x Disc spring washers must be installed in the correct orientation.



▲ Ensure entry is aligned to desired mounting angle.

**Step 4**

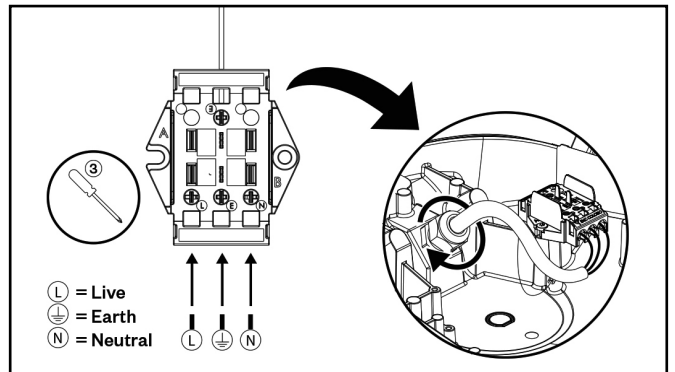
Pivot lift-off head 45° away from base and remove. Store lift-off head in safe area during base installation.



▲ Undo safety wire before removal of lift-off head. Ensure lift-off head is fully constrained at all times during removal. Kirium Pro 3 Only.

**Step 6**

Wire cable to electrical disconnect with Pozi or Slotted Screwdriver. Tighten gland cap to 6Nm torque to ensure IP sealing is maintained.



**NOTE!**

LEDs contained within this luminaire shall only be replaced by the manufacturer, their service agent or similar qualified person.

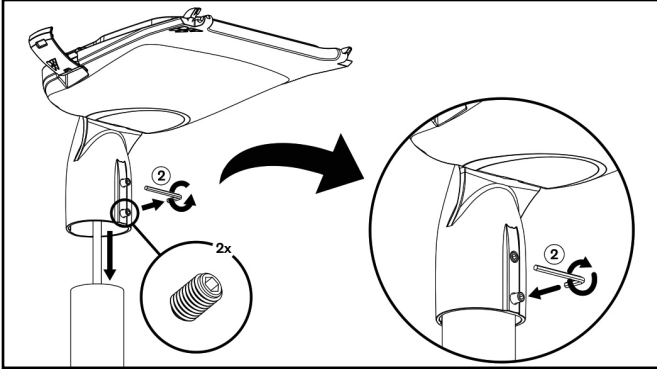


DW Windsor  
Pindar Road, Hoddesdon, Hertfordshire, EN11 ODX  
T: +44 (0) 1992 474600 | E: info@dwwindsor.com  
dwwindsor.com

### Kirium Pro Installation Steps | Post Top Entry

**Step 7 (See Step 7A for Side Entry installation instructions)**

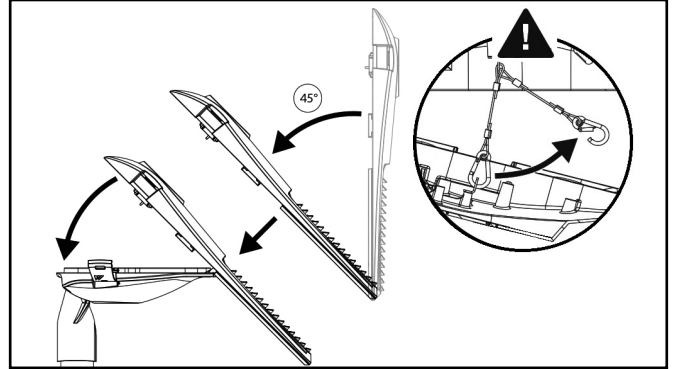
Loosen 2x M10 grub screws on entry with 5mm allen key. Slide entry on to column (See column engagement table). Tighten grub screws to 16Nm.



▲ Align luminaire with area to be illuminated.

**Step 8**

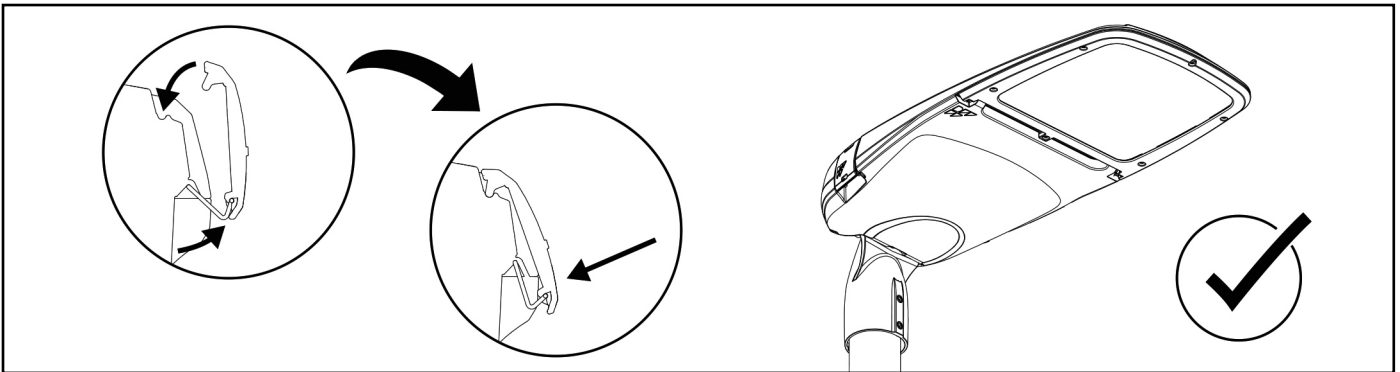
Angle lift-off head 45° and fit to base ensuring both pivot points are fully engaged.



▲ CRITICAL! Attach safety wire to lift-off head before closing luminaire. Kirium Pro 3 Only.

**Step 9 (See Step 9A for Side Entry installation instructions)**

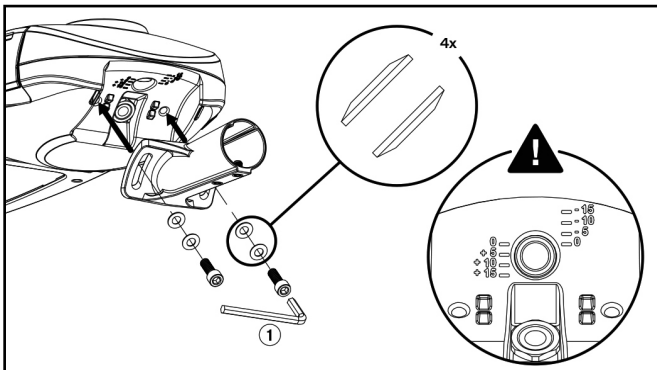
Close luminaire and fasten quick-release side latches.



### Kirium Pro Installation Steps | Side Entry

**Step 2A**

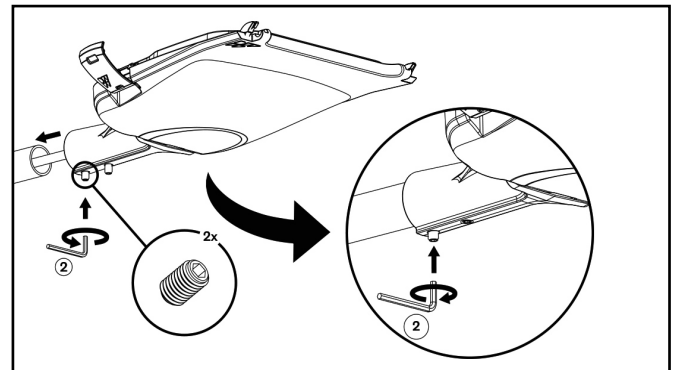
Fit entry to luminaire with supplied fasteners, tightening to 16Nm torque. 4x Disc spring washers must be installed in the correct orientation.



▲ Ensure entry is aligned to desired mounting angle.

**Step 7A**

Loosen 2x M10 grub screws on entry with 5mm allen key. Slide entry on to column (See column engagement table). Tighten grub screws to 16Nm.



▲ Align luminaire with area to be illuminated.

**NOTE!**

LEDs contained within this luminaire shall only be replaced by the manufacturer, their service agent or similar qualified person.

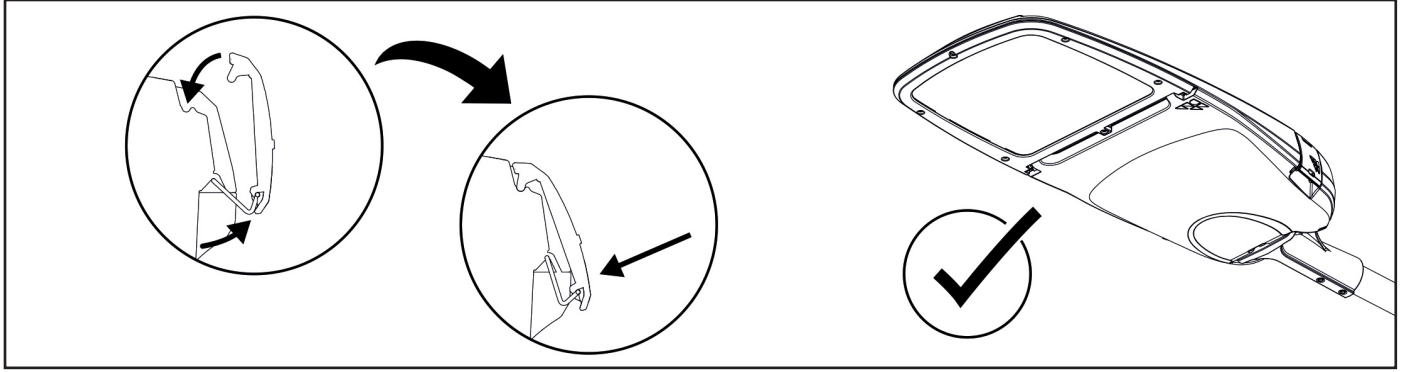


DW Windsor  
Pindar Road, Hoddesdon, Hertfordshire, EN11 ODX  
T: +44 (0) 1992 474600 | E: info@dwwindsor.com  
dwwindsor.com

**Kirium Pro Installation Steps | Side Entry**

**Step 9A**

Close luminaire and fasten quick-release side latches.

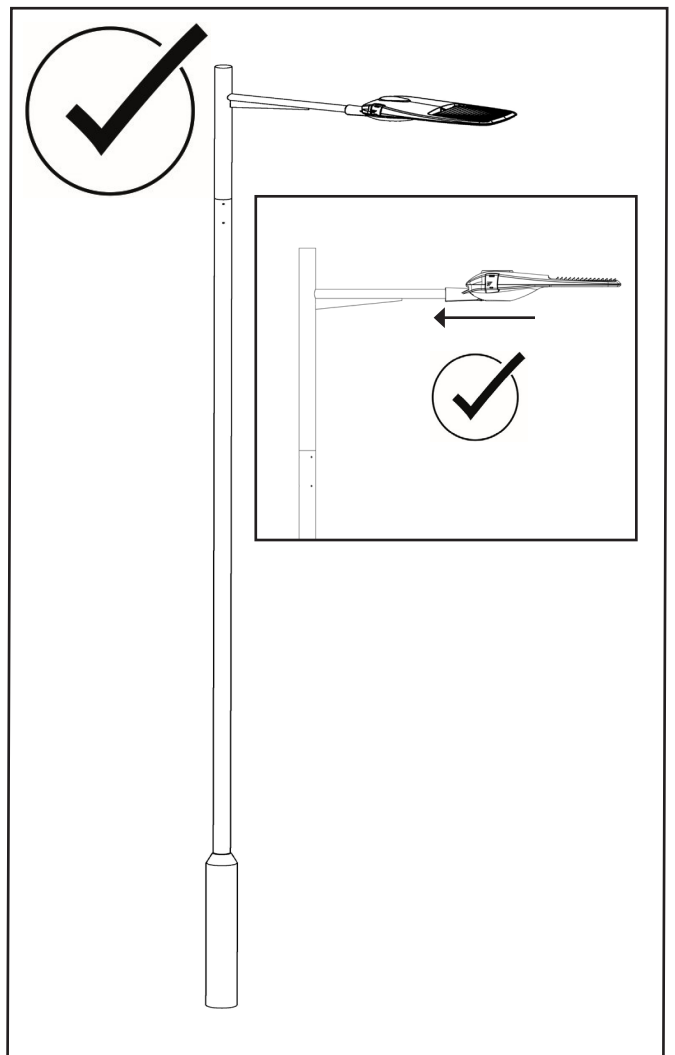
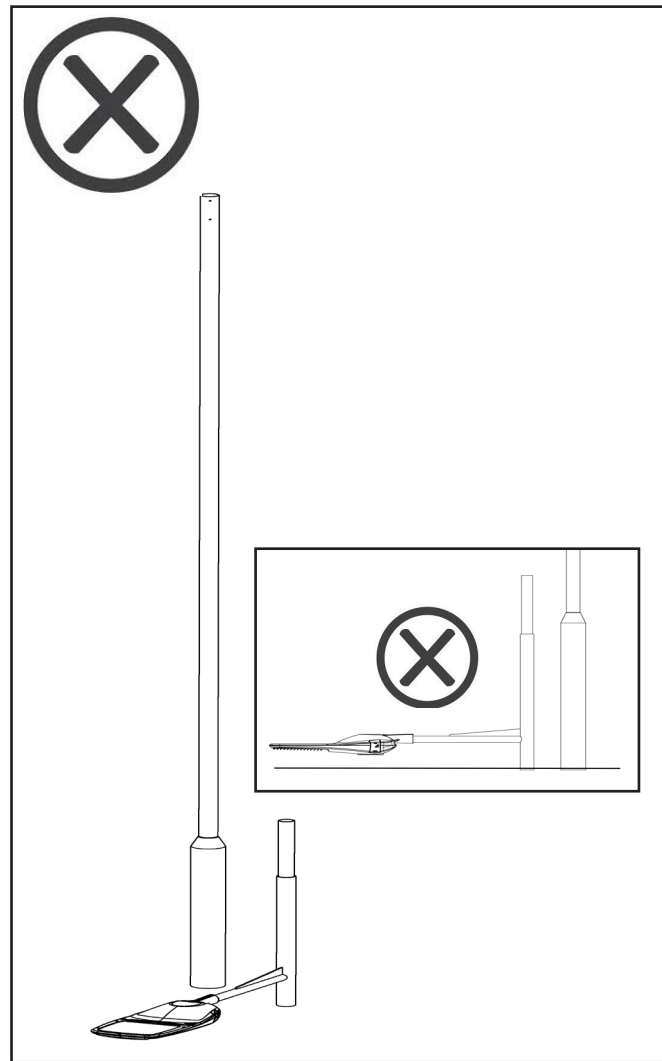


**Kirium Pro Installation Steps | Side Entry**

**CAUTION!!**



**DO NOT** mount luminaire on the ground/upside down  
**ALWAYS** mount luminaire in situ on column/in correct orientation



### Anti-Glare Shield

Anti-Glare Shields can be fitted to the luminaire post-installation, without opening the product.

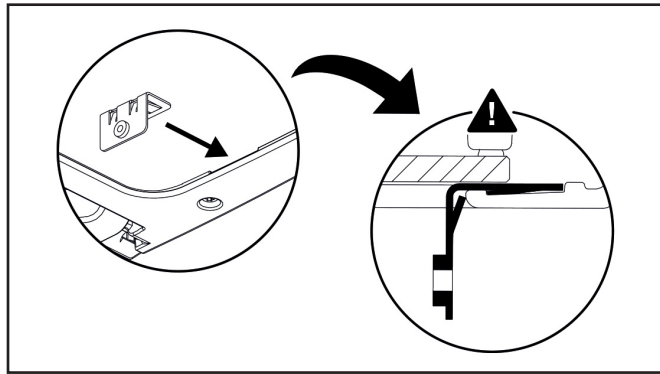
### Fasteners Supplied

Spring Clips and M4 screws are supplied in the following quantities for each anti-glare shield option.

- 2x for Front Shields
- 2x for Back Shields
- 4x for Front & Back Shields (6x for Front & Back Shields on Kirium Pro 3)

### Spring Clips

Fit spring clips to luminaire before attaching anti-glare shields. Spring clips are push-fit and non-removable once fitted.



▲ Ensure Anti-Glare Shield Clips are securely attached to the luminaire.

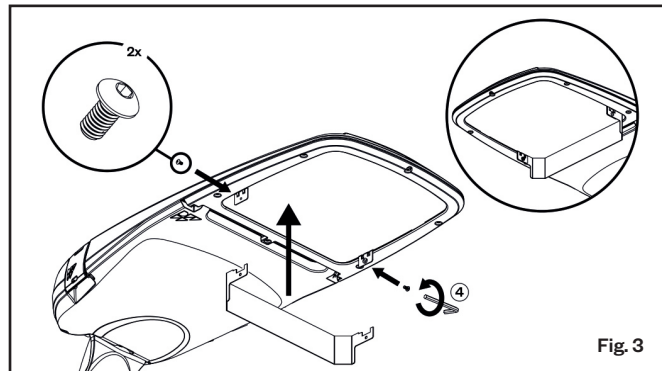


Fig. 3- Kirium Pro back anti-glare shield installation.

### Tools Required

Tools not supplied.



Fig. 1

Fig. 1 - Tools required for Kirium Pro Anti-glare Shield installation. Not supplied.

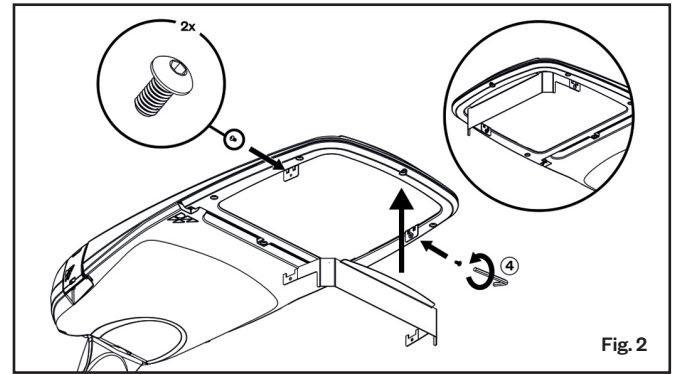


Fig. 2 - Kirium Pro front anti-glare shield installation.

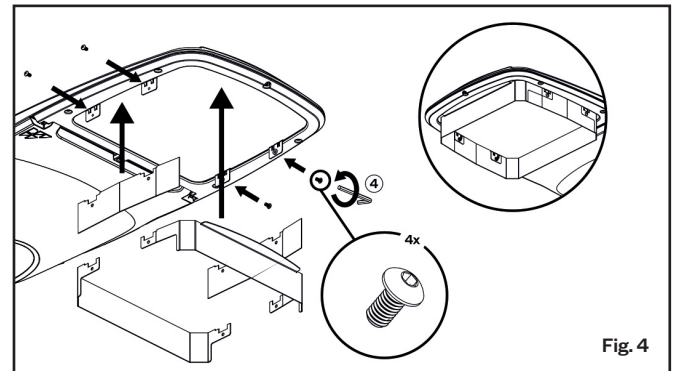


Fig. 4 - Kirium Pro full anti-glare shield installation.