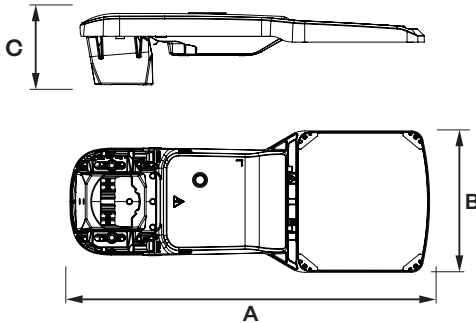



IP66 IK08
230VAC 50Hz
10/630/13 REV E

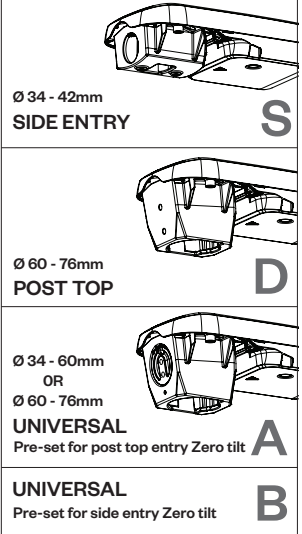
IMPORTANT



- DISCONNECT ELECTRICAL SUPPLY BEFORE INSTALLATION OR SERVICING.
- THIS PRODUCT MUST BE EARTHED.
- THIS PRODUCT IS DESIGNED TO OPERATE OUTDOORS.
- DO NOT STARE AT OPERATING LIGHT SOURCE.
- PERSONNEL TO WEAR PROTECTIVE SAFETY GLASS COMPLIANT WITH EN166 1F/EN169-5 WHEN COMMISSIONING OR MAINTAINING THIS LUMINAIRE.
- BASIC INSULATION IS PROVIDED BETWEEN POWER & DALI.
- ALWAYS MAINTAIN BASIC INSULATION BETWEEN LOW VOLTAGE SUPPLY AND CONTROL.
- LEDS CONTAINED WITHIN THIS LUMINAIRE SHALL ONLY BE REPLACED BY THE MANUFACTURER, THEIR SERVICE AGENT OR SIMILAR QUALIFIED PERSON.
- THE LUMINAIRE SHOULD BE POSITIONED SO THAT PROLONGED STARING INTO THE LUMINAIRE AT A DISTANCE CLOSER THAN 2.7 METERS IS NOT EXPECTED.
- IN CASE OF GLAZING DAMAGE, CONTACT DW WINDSOR FOR REPLACEMENT



SPIGOT ADAPTOR TYPES


MOUNTING HEIGHTS UP TO AND ABOVE 15m

GEAR COMPARTMENT	IP66
CONTROLS / PHOTOCELLS	IP66
LIGHT ENGINE	IP66

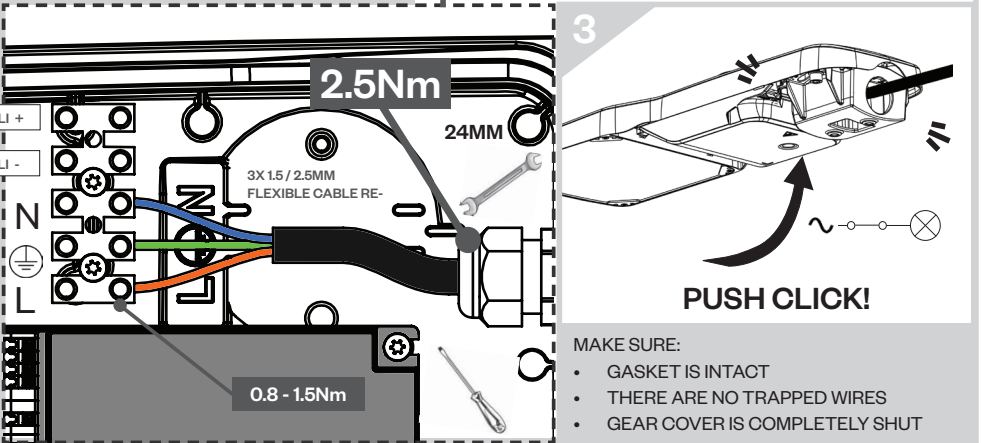
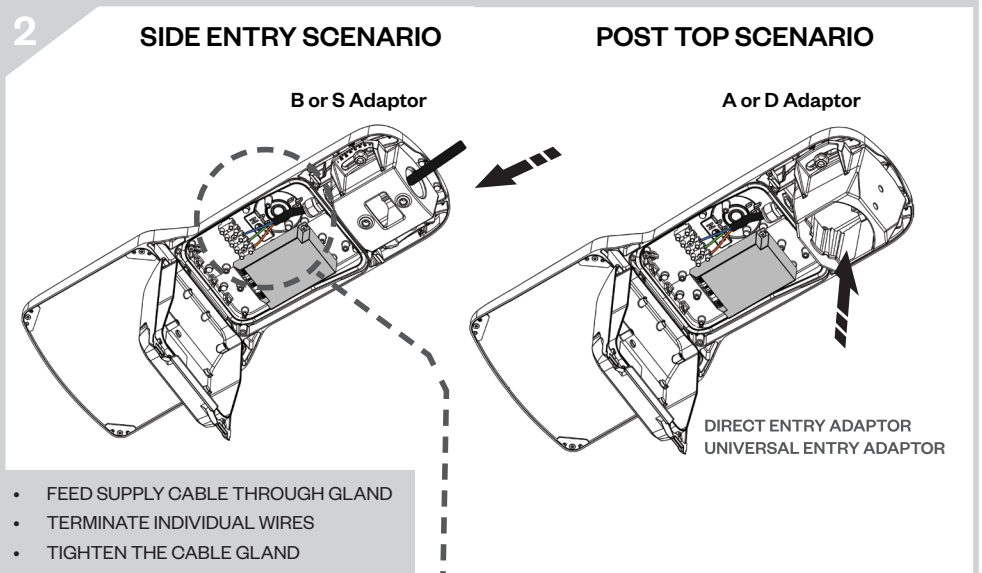
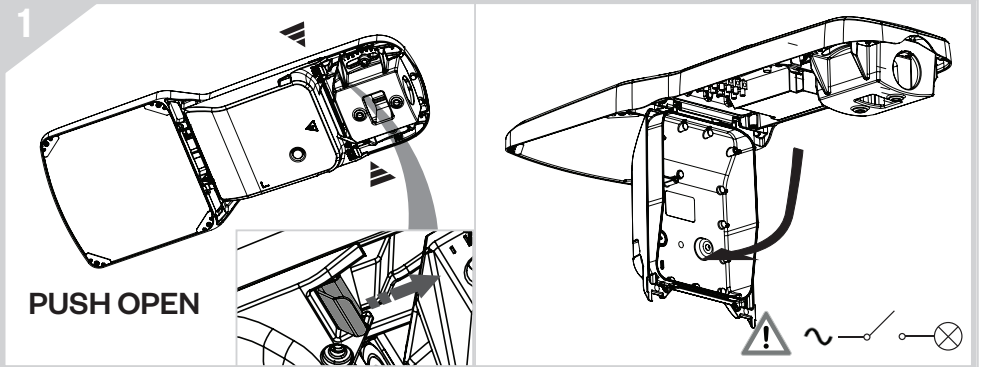
PRODUCT DETAILS

	KIRIUM PRO S Mini	KIRIUM PRO S1	KIRIUM PRO S2	KIRIUM PRO S4
A	532 mm	632 mm	704 mm	906 mm
B	200 mm	246 mm	320 mm	372 mm
C (S / D / U)	100 / 135 / 140 mm	100 / 135 / 140 mm	100 / 135 / 140 mm	100 / 135 / 140 mm
Windage (CxS) 	0.063m ²	0.075 m ²	0.075 m ²	0.107 m ²
kg (PC cover) 	4.4	5.1	n/a	n/a
kg (AL Cover) 	4.8	5.5	7.2	14.4

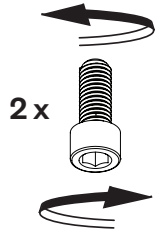
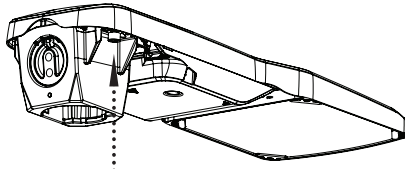
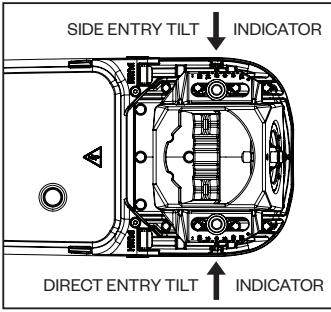
TOOLS REQUIRED



WIRING (NON PRE-CABLED VERSION)



TILT ADJUSTMENT



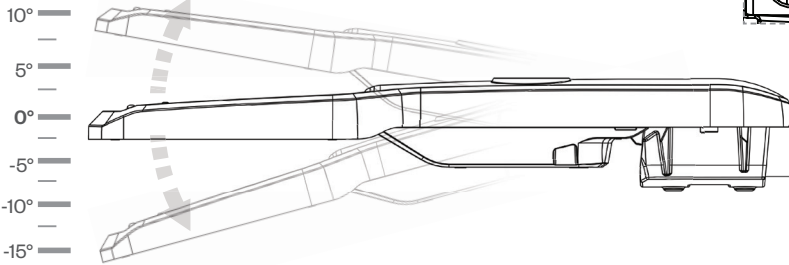
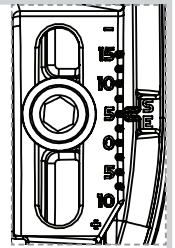
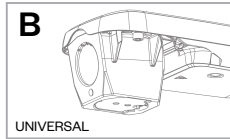
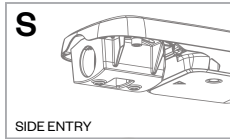
LOOSEN BOTH BOLTS UNTIL
TILTING IS POSSIBLE
DO NOT OVER LOOSEN



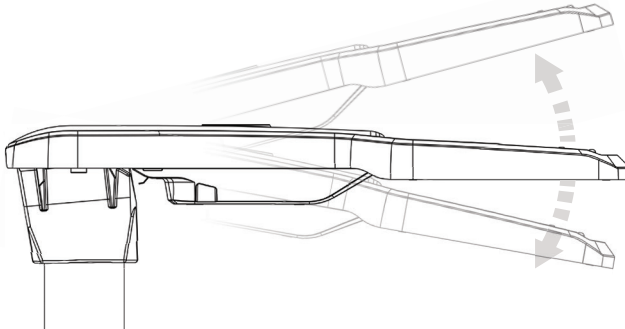
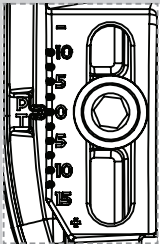
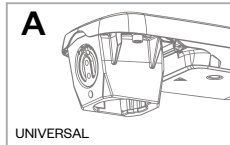
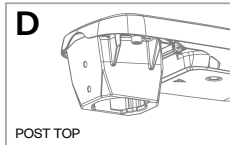
+1Nm
10Nm 0Nm

RE-TIGHTEN TO REQUIRED TORQUE

SIDE ENTRY OPTIONS



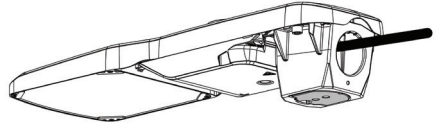
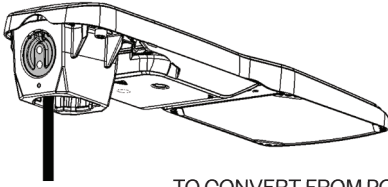
POST TOP OPTIONS



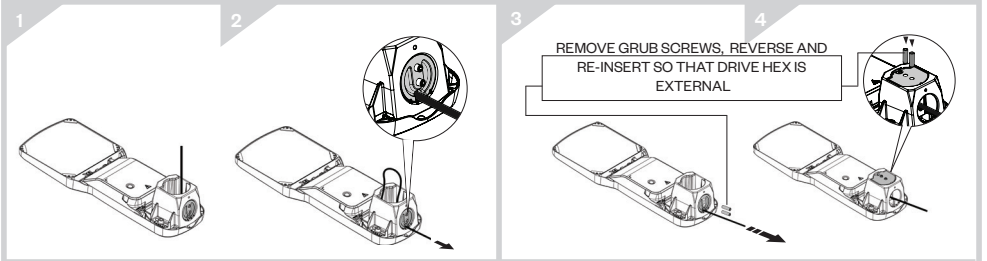
CABLE EXIT RE-DIRECT (UNIVERSAL ENTRY ADAPTOR ONLY)

DIRECT ENTRY -----> **SIDE ENTRY**

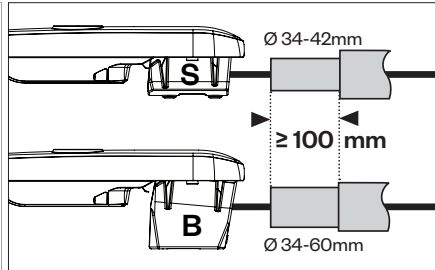
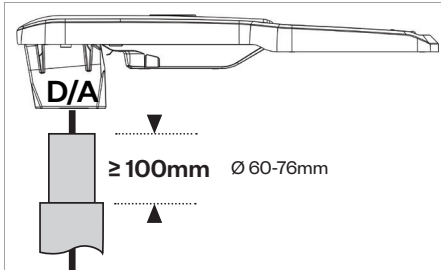
(DEFAULT CONFIGURATION)



TO CONVERT FROM POST TOP TO SIDE ENTRY CONFIGURATION
FOLLOW STEP 1 - 4



COLUMN / BRACKET ENGAGEMENT



POST TOP

SIDE ENTRY

